

Sustainable Apparel Tagging Solution

Avery Dennison Recycled Plastic Fasteners meet the needs of environmentally conscious retailers, brand owners and consumers to reduce their environmental footprint. Switching to our Recycled Plastic Fasteners for tag/label attaching demonstrates brand innovation and environmental responsibility.

Lower Landfills

Recycled Plastic Fasteners are made of recycled polyethylene terephthalate (rPET). The environmental benefits created by using at least 90% “post consumer” waste from recycled plastic bottles (rPET) are substantial:

- Every roll of 834 fasteners reduces the landfill load by more than .3 plastic bottles
- Every carton, by more than 23 plastic bottles
- Every case, by 237 plastic bottles

Recycled Garment Fasteners

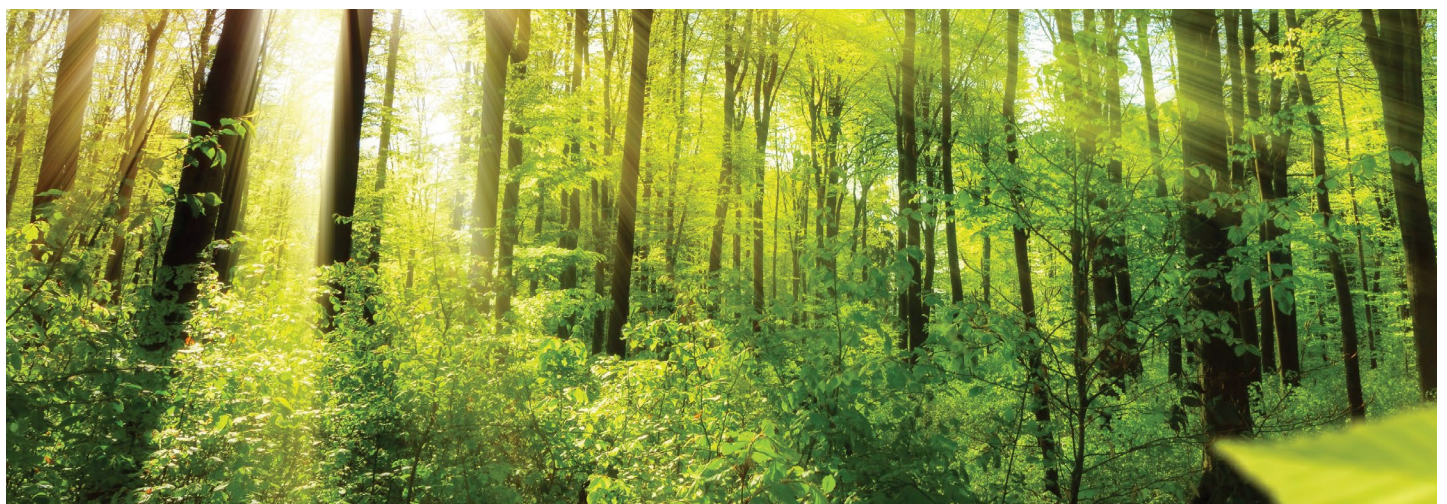
Fasteners carry a “Recycled” logo molded onto the paddle for immediate recognition of retailer sustainability efforts. Retailers can create a positive image of environmental stewardship for just fractions of a cent per garment.

Design Versatility

- Available in 13 standard colors
- Colors can be Pantone® matched upon request
- Application is simple and quick with System® 1000 hand tool (#10000-4)



For more information on Avery Dennison sustainability and environmental responsibility visit sustainability.averydennison.com.

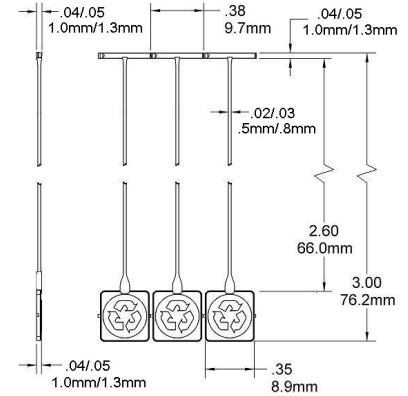


Technical Information

Plastic Staple Fasteners (Polyurethane)									
Part #	Overall Length (inches/mm)	Nominal Filament Length (inches/mm)	Material	Color *		Minimum Strength	Qty / Reel	Inner Box Qty	Case Qty
17001-0	3" (78mm)	2.6" (65mm)	rPET	White		5.6 lbs (2.54 kgs)	834	5,000	50,000
17002-0	3" (78mm)	2.6" (65mm)	rPET	Yellow		5.6 lbs (2.54 kgs)	834	5,000	50,000
17003-0	3" (78mm)	2.6" (65mm)	rPET	Orange		5.6 lbs (2.54 kgs)	834	5,000	50,000
17004-0	3" (78mm)	2.6" (65mm)	rPET	Pink		5.6 lbs (2.54 kgs)	834	5,000	50,000
17005-0	3" (78mm)	2.6" (65mm)	rPET	Red		5.6 lbs (2.54 kgs)	834	5,000	50,000
17006-0	3" (78mm)	2.6" (65mm)	rPET	Eco Green		5.6 lbs (2.54 kgs)	834	5,000	50,000
17007-0	3" (78mm)	2.6" (65mm)	rPET	Green		5.6 lbs (2.54 kgs)	834	5,000	50,000
17008-0	3" (78mm)	2.6" (65mm)	rPET	Light Blue		5.6 lbs (2.54 kgs)	834	5,000	50,000
17009-0	3" (78mm)	2.6" (65mm)	rPET	Dark Blue		5.6 lbs (2.54 kgs)	834	5,000	50,000
17010-0	3" (78mm)	2.6" (65mm)	rPET	Brown		5.6 lbs (2.54 kgs)	834	5,000	50,000
17011-0	3" (78mm)	2.6" (65mm)	rPET	Gray		5.6 lbs (2.54 kgs)	834	5,000	50,000
17012-0	3" (78mm)	2.6" (65mm)	rPET	Black		5.6 lbs (2.54 kgs)	834	5,000	50,000
17013-0	3" (78mm)	2.6" (65mm)	rPET	Natural		5.6 lbs (2.54 kgs)	834	5,000	50,000

* Colors displayed in print or on monitors may not be an exact match to the actual product. Contact your Avery Dennison representative for a sample.

System 1000® Tool and Standard Needles		
Part #	Item Description	Pkg Qty
10000-4	System 1000® Hand Tool	1 each
08941-0	Heavy-Duty Needle—Plastic Base	4 / kit
08913-0	Heavy-Duty Stainless Steel Needle	4 / kit



The information contained herein is believed to be reliable but Avery Dennison makes no representations concerning the accuracy or correctness of the data. This product, like any other should be tested by the customer/user thoroughly under end user conditions to ensure the product meets the particular requirements. Independent results may vary. Avery Dennison and the logo are registered trademarks of Avery Dennison Corp. Third party trademarks and/or trade names used herein are the property of their respective owner(s). Avery Dennison Liability is limited to the replacement value of defective products. In no event shall Avery Dennison be held liable for consequential, indirect or incidental damages. Products, information and specifications are subject to change without notice. © 2017 Avery Dennison Corporation, All Rights Reserved.

USA & CANADA

224 Industrial Road
Fitchburg, MA 01420
Tel +978 345 8100 (direct)
Tel +800 225 5913
Fax +800 848 2169

LATIN AMERICA

Aristóteles #123
Parque Industrial Kalos
Apodaca, Nuevo León
66600 México
Tel +52 (81) 8864 4100
Fax +52 (81) 8864 4101

ASIA

No. 7 Chun Ying Street
Tseung Kwan O
Industrial Estate
New Territories, Hong Kong
Tel +852 2372 3000
Fax +852 2873 6436

EUROPE, MIDDLE EAST & AFRICA

1 Thomas Road
Wooburn Green
Bucks HP10 0PE
Tel +(44) 1628 859500
Fax +(44) 1628 859567

fastener.averydennison.com